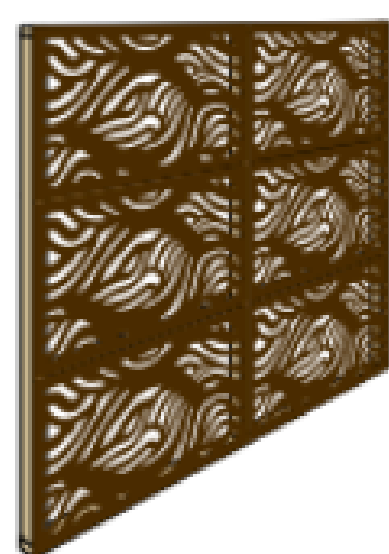


Mounting Styles & Methods

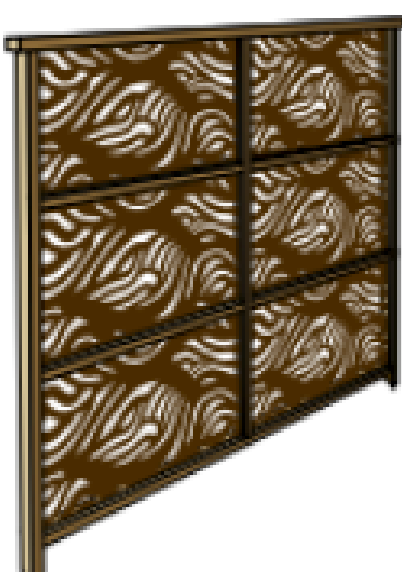
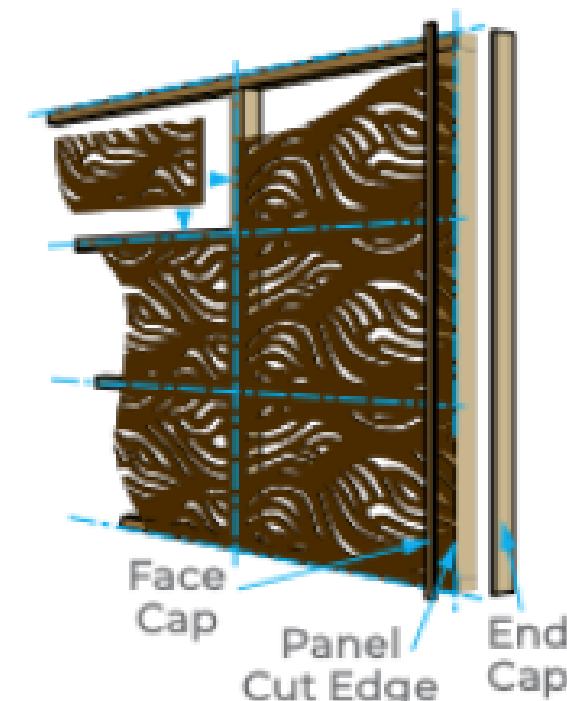
Examples shown are installation suggestions. Adjust for your specific project's requirements. Some installations may require professional assistance.

MOUNTING STYLES



FACE-MOUNT – Attach panels to front of frame

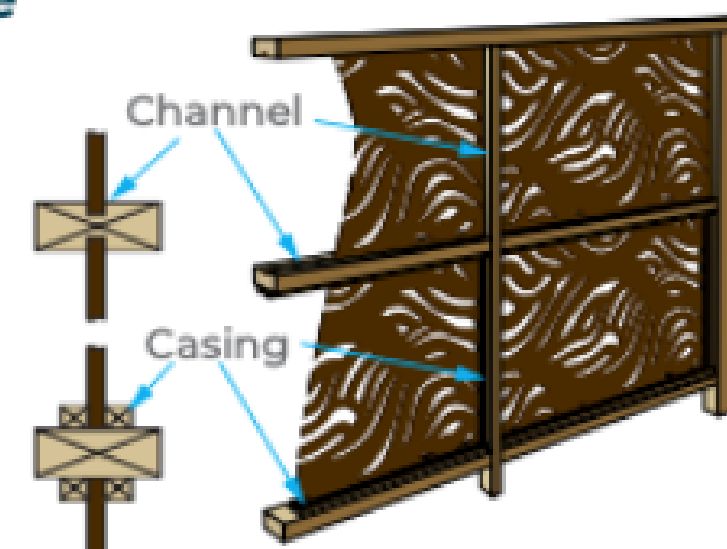
- Easiest method for covering a fence or wall.
- Effective for making panels straight and square.
- Add a face cap piece to conceal a cut panel edge; or use an end-mounted cap to cover an exposed frame edge.



WINDOW-FRAME – Set panels inside frame

OPTION 1: Cut a recessed channel in all posts **and** rails to hold panel edges.

OPTION 2: Build a 1" x 1" or 2" x 2" border casing and attach to frame with the panel secured inside the casing.

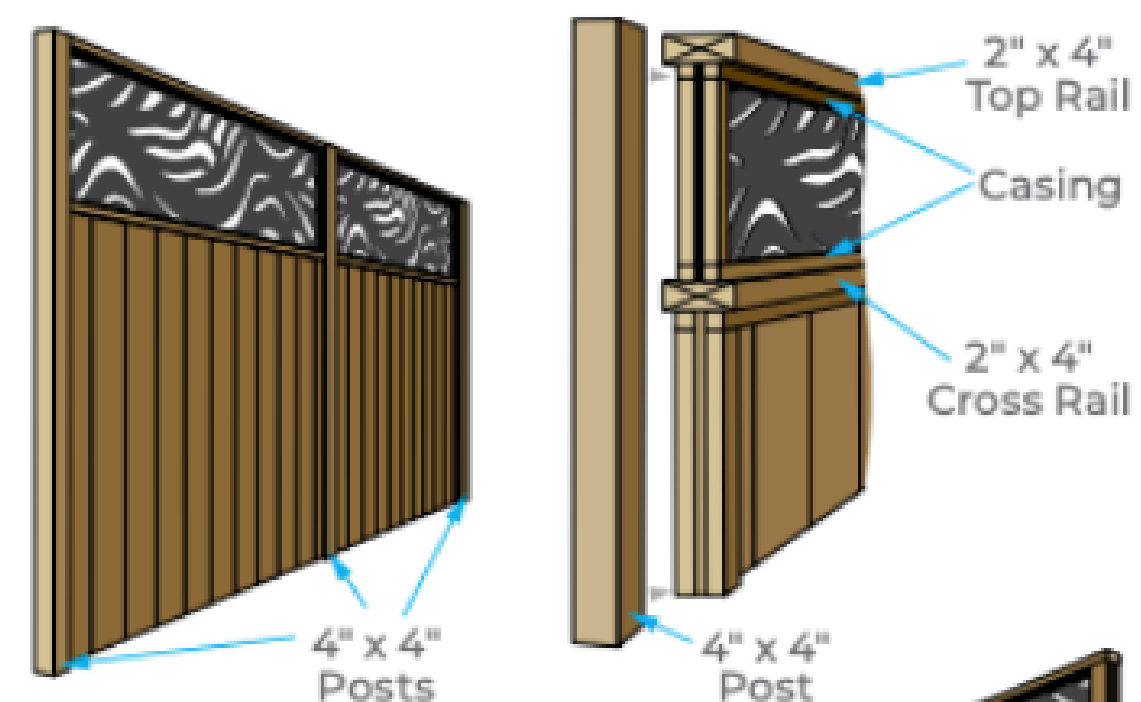


FENCE EXTENSIONS

Use timber or metal posts in windy areas.

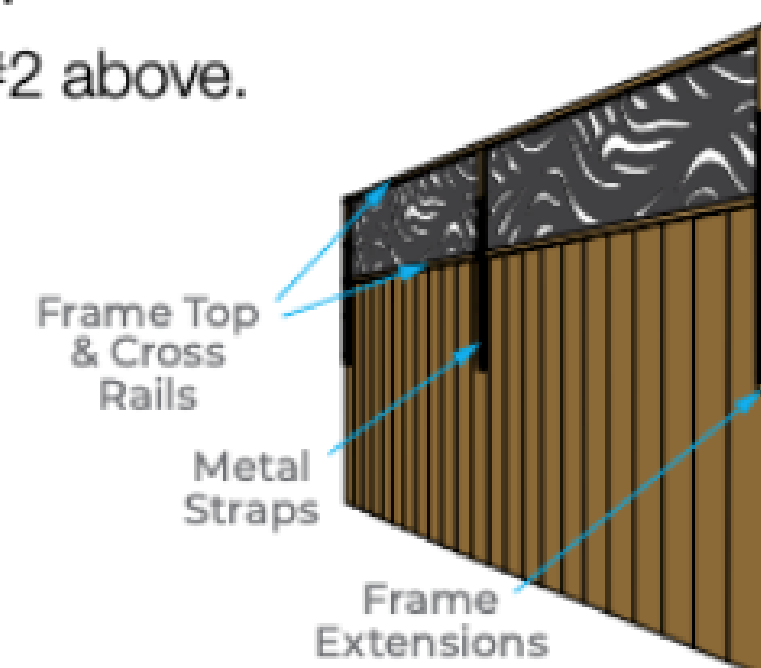
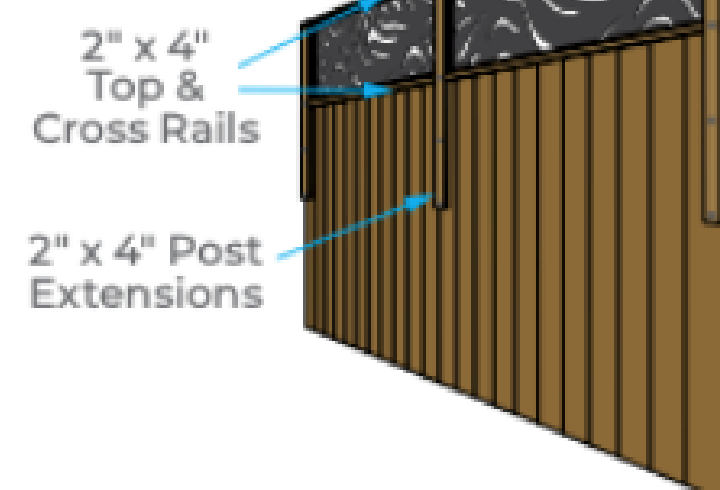
OPTION 1: Fence with 4" x 4" posts extending above the fence

1. Add 2" x 4" cross rails between posts to create top and bottom of extension frame.
2. Create a 1" x 1" or 2" x 2" border casing and attach to frame securing the panel between the casing.



OPTION 2: Existing fence without extended posts

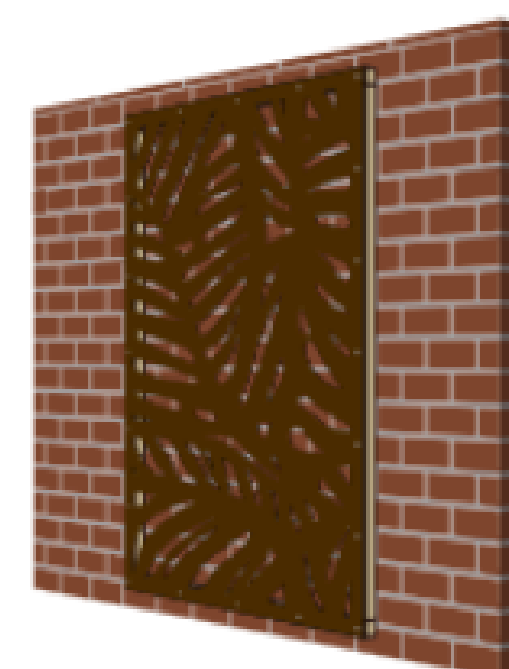
1. Attach 2" x 4" timber extension posts to one or both sides of the fence extending 16"–24" down from top of the fence. Fasten with bolts every 12"–18".
2. Attach a 2" x 4" top rail to top of posts and 2" x 4" cross rails between posts along top of fence to create frame.
3. Build border casing and secure panels per Option 1, #2 above.
4. In non-windy areas, 1" x 2" or 2" x 2" post extensions and rails can be used to build a frame to hold panels with 16"–24" metal straps added. Use straps on both sides of fence for a more secure installation.



Fence extension installation examples are suggestions only. Modify for your fence requirements or consult a professional.

ATTACHING TO AN EXISTING MASONRY WALL

Check that wall is flat, square, and level, and can support the panels' weight. Build a timber or metal frame. Pre-drill wall with masonry bit and use masonry screws to attach frame. Mount panels to frame. Use this method for mounting panels on large gates, heavy garage doors, or other sizable moving structures.



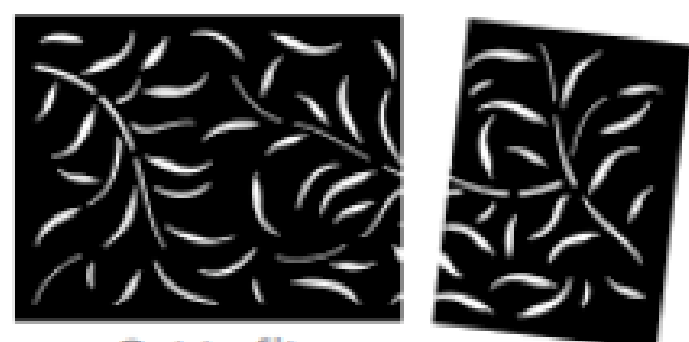
ATTACHING TO A SKELETAL STRUCTURE OR STUD WALL

Use the framing method above and attach your frame to the structure's studs.

Panel Fitting



Cut panels to fit installation specs. Add a face cap to cover cut edge if desired (see top right).



Pattern Orientation

Panels can be mounted in any orientation. Check for pattern repeats and flows before cutting and installing.

